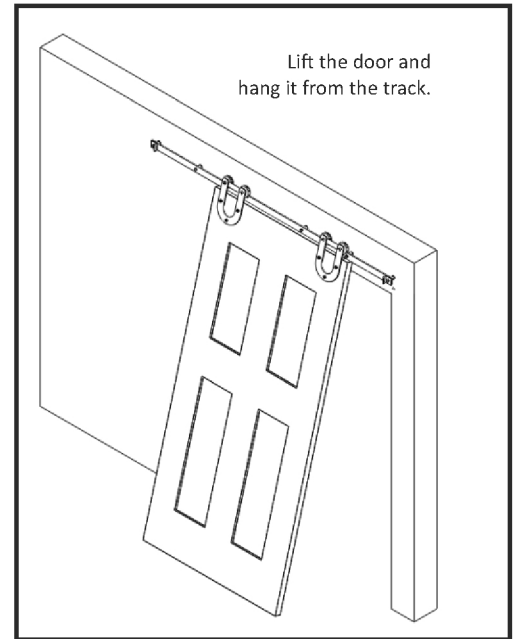
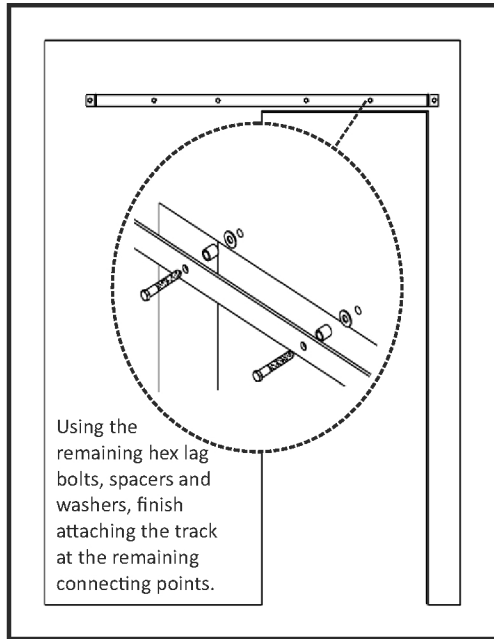
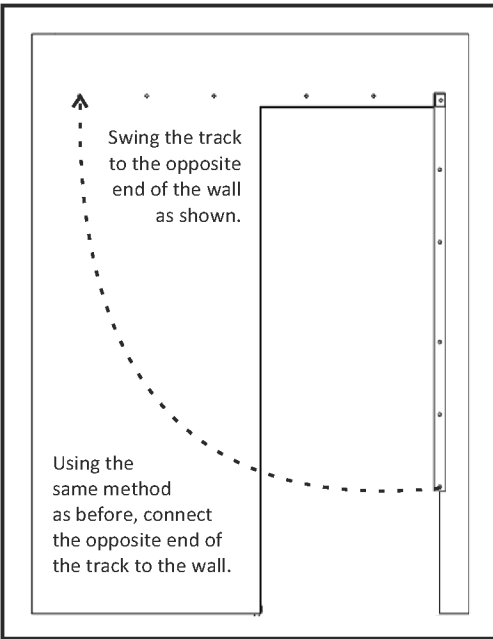
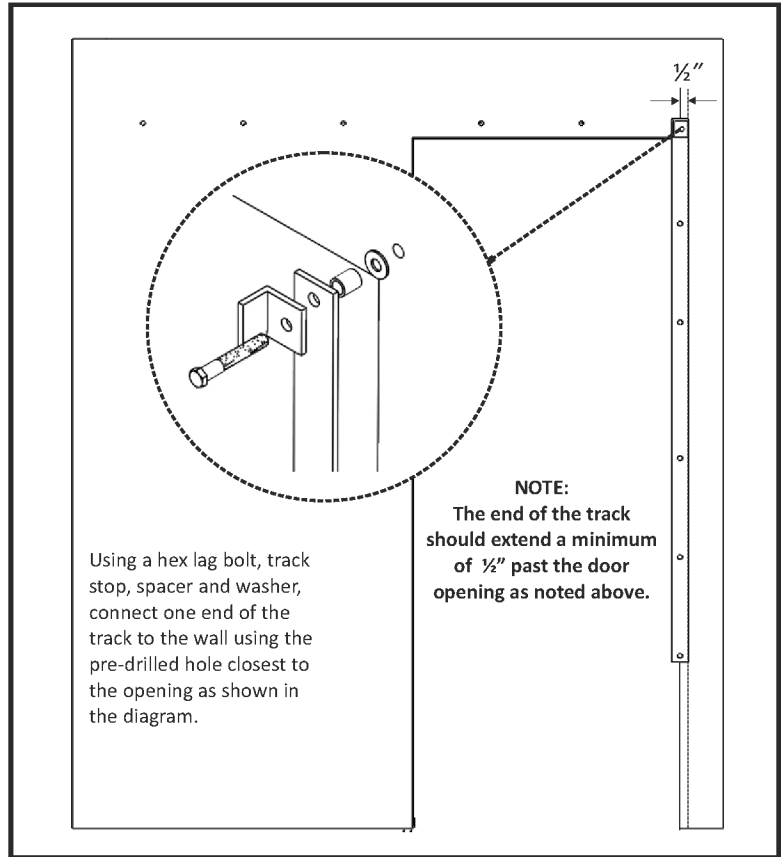
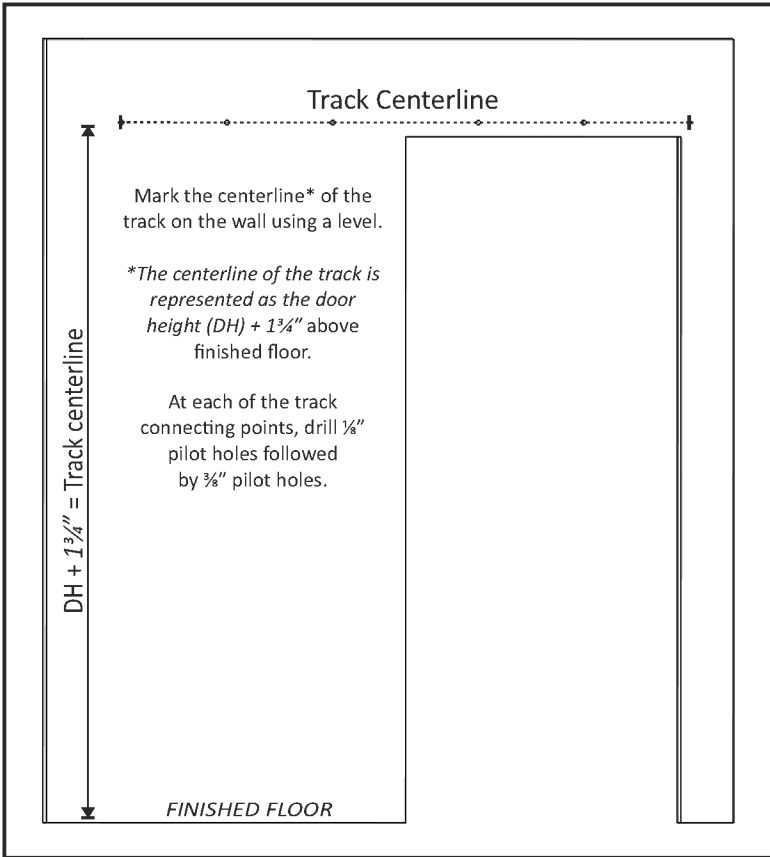


# Track Installation



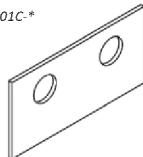
## Optional Accessories

Wall Extension Bolts Set  
Includes 6 lag bolts and 6 wall spacers



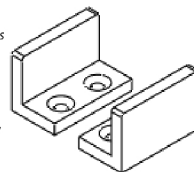
	1/2" Extension	3/4" Extension	1 1/4" Extension
1 1/2" Door	Part #60013E-*	Part #60013EX-*	Part #60013EXX-*
1 3/4" Door	Part #60014E-*	Part #60014EX-*	Part #60014EXX-*
2 1/4" Door	Part #60015E-*	Part #60015EX-*	Part #60015EXX-*

Track Connecting Plate  
1 each  
Part #6001C.\*



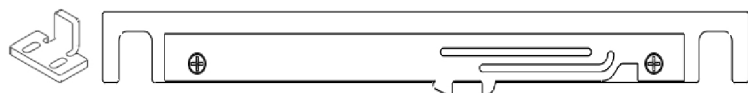
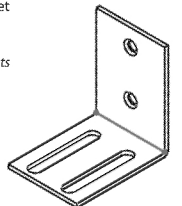
Door Guide "U"  
1 set  
Includes 2 "U" guides, 2 wood screws and 1 felt pad  
Part #6001U.\*

**NOTE:** Use the provided T-guide wood screws for U-guide installation.



Sidewall Guide Bracket  
1 each  
Includes 1 bracket, 4 machine screws, 4 nuts and 1 felt pad  
Part #6001SW.\*

**NOTE:** Use the provided T-guide wood screws for sidewall guide installation.



Soft Stop  
1 set  
Includes 2 Soft Stop mechanisms, 2 triggers and 4 wood screws  
Part #6001SOFT11 (4'-7" track)  
Part #6001SOFT17 (8'+ track)



Goldberg Brothers, Inc.  
10488 W Centennial Rd, Suite 100  
Littleton, CO 80127  
(303) 321-1099